

DRIVER, TRACK AND RESULTS

DRIVER _____ COUNTRY _____ WEATHER AIR TEMP _____ TRACK TEMP _____ DRY INTERMEDIATE WET

TRACK SURFACE ASPHALT CARPET TRACTION LOW MEDIUM HIGH COMMENTS _____

RACE _____ DATE _____ QUALY POS. _____ QUALY TIME _____ STARTING POS. _____ FINAL POS. _____

FLEX CONFIGURATION

CHASSIS ALU CARBON

CENTER SHOCK ABSORBER

OIL _____ cst REBOUND _____ mm

PISTON

SPRING 6.5 8 10 12 14 16 18

OTHER (BRAND/TYPE): _____ / _____

CENTER TUBES

OIL _____ cst ROLL LIMITER _____ mm

FRONT TYRES Controlled Tyre REAR

TYPE RUBBER FOAM

MAKE AND TYPE _____

mm DIAMETER _____ mm

ADDITIVE _____

min ADDITIVE TIMING _____ min

% SURFACE _____ %

ELECTRONICS

BATTERY

BRAND _____ CAPACITY _____ mAh

MOTOR

BRAND _____ TYPE _____ TIMING _____

ESC

BRAND _____ TYPE _____

RATIO CONFIGURATION

PITCH SPUR GEAR TEETH _____

PITCH PINION TEETH _____

FINAL DRIVE RATIO _____ ROLL OUT _____ mm

AERODYNAMIC CONFIGURATION

BODY BRAND _____ TYPE _____

FRONT WING BRAND _____ TYPE _____

FRONT BIG WING FLAPS YES NO

FRONT SMALL WING FLAPS YES NO

REAR WING BRAND _____ TYPE _____

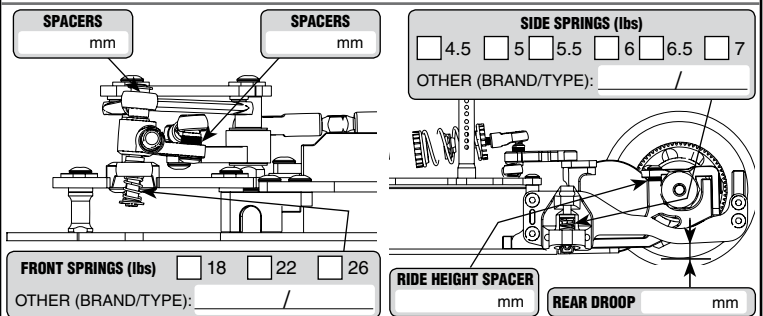
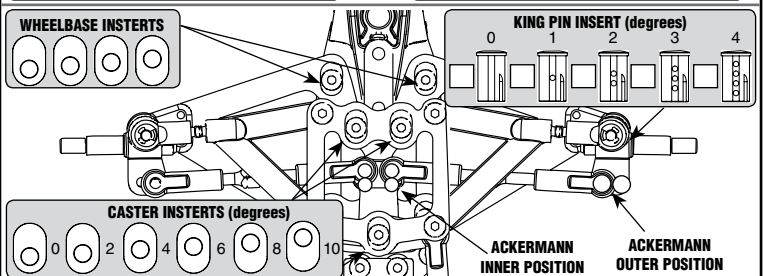
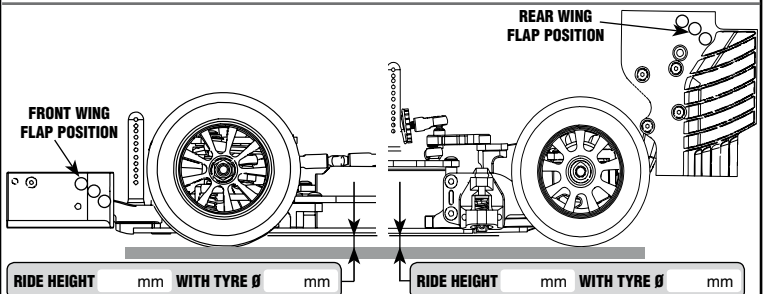
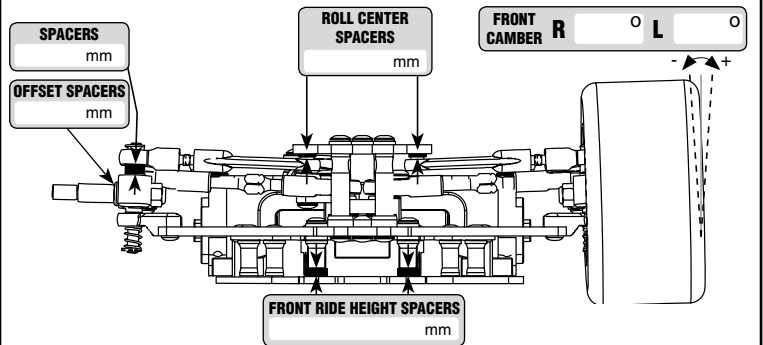
REAR WING POSITION UP MID DOWN

REAR DIFFUSER YES NO

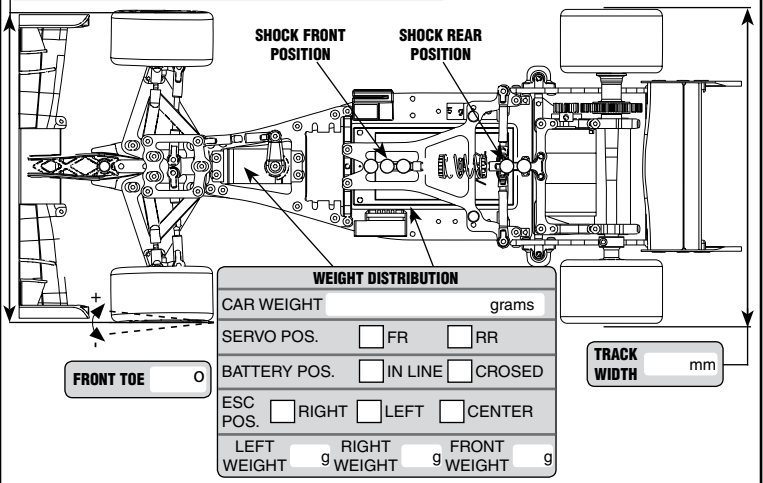
REMARKS

FRONT

REAR



FRONT TRACK WIDTH WIDE MID NARROW
TOTAL WIDTH _____ mm



WEIGHT DISTRIBUTION

CAR WEIGHT _____ grams

SERVO POS. FR RR

BATTERY POS. IN LINE CROSED

ESC POS. RIGHT LEFT CENTER

LEFT WEIGHT _____ g RIGHT WEIGHT _____ g FRONT WEIGHT _____ g