

DRIVER & TRACK

DRIVER Oliver Mack DATE 18.7-20.7.25

TRACK Aigen GRIP Medium

1ST SPUR GEARS 2ND

61 62 63 56 57 58

1ST PINION 2ND

18 19 20 23 24 25

FR SHOCK ABSORBERS RR

OIL 500cst OIL 800cst

SPRINGS Silver SPRINGS Red

PISTON 1x1.2 PISTON 2x1.2

FR HEAVE DAMPER RR

OIL 500cst OIL cst

SPRINGS — SPRINGS

PISTON 1x1.1 PISTON

ANTI-ROLL BARS

FRONT 2 REAR 3

FR TYRES Controlled Tyre RR

MAKE & TYPE Matrix

33 SHORE 35

69mm DIAMETER 76mm

POWER PACK

ENGINE

BRAND & TYPE Picco evo 9 Long Strike

GLOWPLUG Os 7 CARB Ø 8,5mm

EXHAUST

PIPE Max 2164 MANIFOLD Max 20

FUEL

BRAND Energy evo NITRO % 16

CLUTCH

CLUTCH ALU STEEL CLUTCH SHOE Yellow

CLUTCH SPRING Bm

CLUTCH BELL GAP 0,8mm

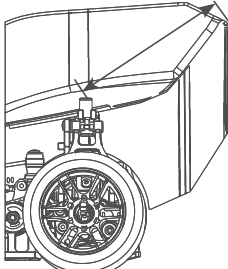
AERODYNAMIC CONFIGURATION

BODY BRAND Xtreme BODY POSITION mm

BODY TYPE Hiper Diablo

BUMPER TYPE 990

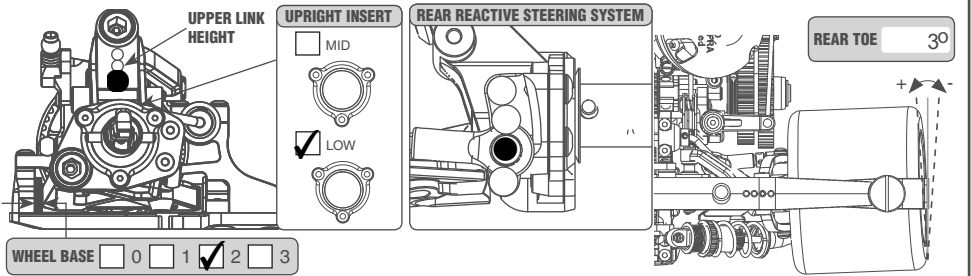
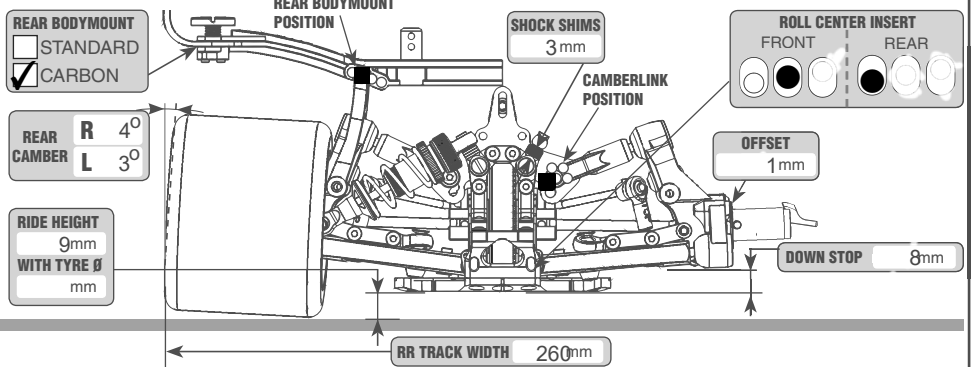
AIR TRIM POS. +5mm



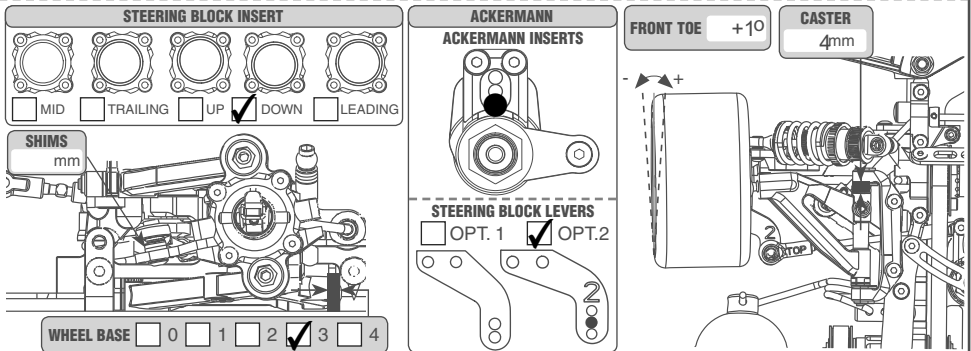
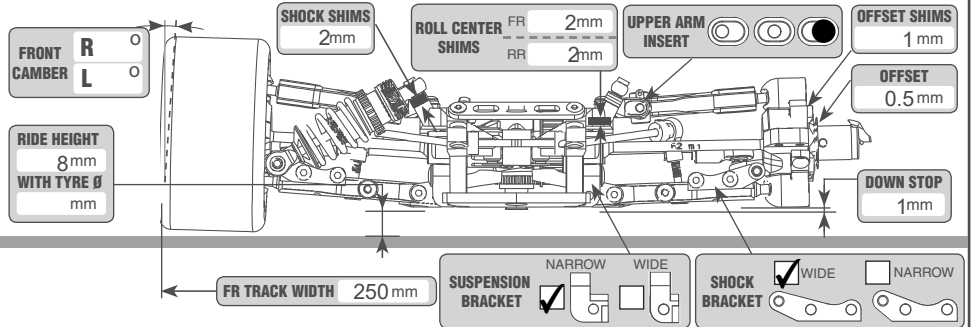
REMARKS

Ride height was measure on hudy setup !!!!

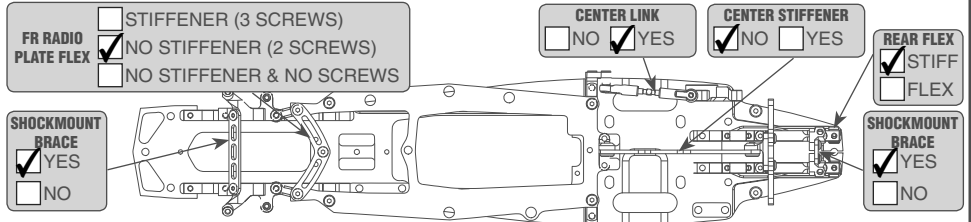
REAR SETUP



FRONT SETUP



FLEX SETUP



WEIGHT DISTRIBUTION

