

DRIVER & TRACK

DRIVER **M. Salven** DATE **20-07-25**

TRACK **Aigen** GRIP **medium low**

1ST SPUR GEARS 2ND

61 62 63 56 57 58

1ST PINION 2ND

18 19 20 23 24 25

FR SHOCK ABSORBERS RR

OIL **900 cst** OIL **900 cst**

SPRINGS **silver** SPRINGS **red**

PISTON **2 holes** PISTON **2 holes**

FR **HEAVE DAMPER** RR

OIL **500 cst** OIL **cst**

SPRINGS **--** SPRINGS

PISTON **2 holes** PISTON

ANTI-ROLL BARS

FRONT **2** REAR **3**

FR TYRES **Controlled Tyre** RR

MAKE & TYPE **Matrix**

32 SHORE **35**

69 mm DIAMETER **76 mm**

POWER PACK

ENGINE

BRAND & TYPE **GIMAR Saturn Evo**

GLOWPLUG **OS 7** CARB Ø **8.5mm**

EXHAUST

PIPE **Max 2183** MANIFOLD **2099**

FUEL

BRAND **ultra** NITRO % **16**

CLUTCH

CLUTCH ALU **CLUTCH SHOE** **yellow**

BELL STEEL

CLUTCH SPRING **brutale**

CLUTCH BELL GAP **0.8 mm**

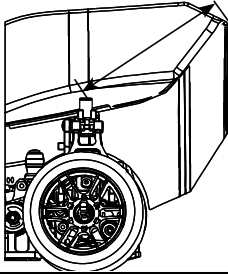
AERODYNAMIC CONFIGURATION

BODY BRAND **Xtreme** BODY POSITION **mm**

BODY TYPE **Super Diablo**

BUMPER TYPE **990R**

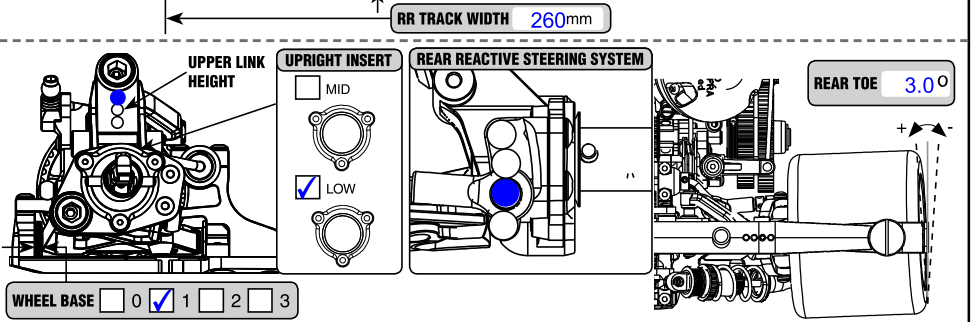
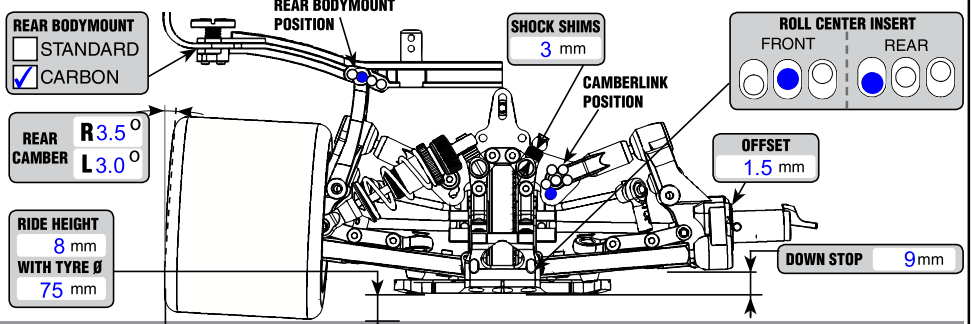
AIR TRIM POS. **12 mm**



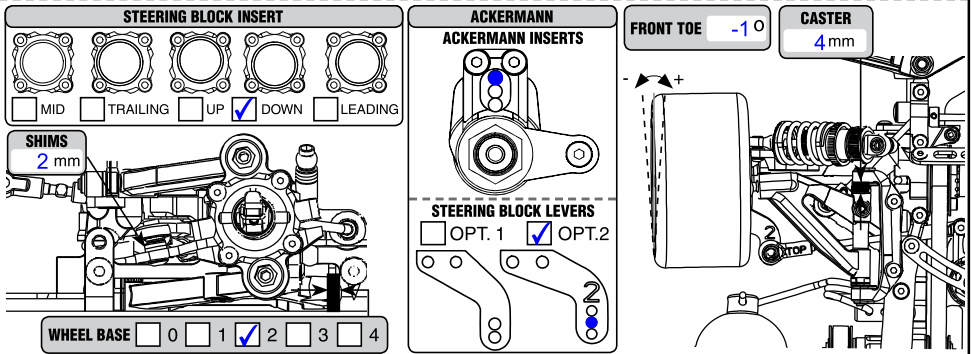
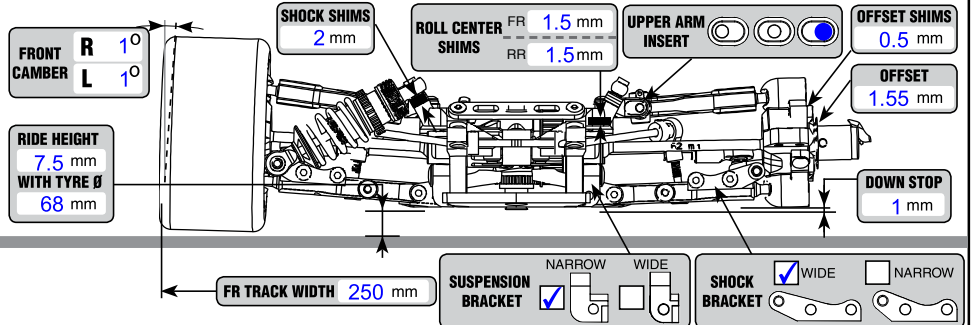
REMARKS

990 R
right hand side stiffener
rear servosaver position
ride-height with arrowmax setup wheels

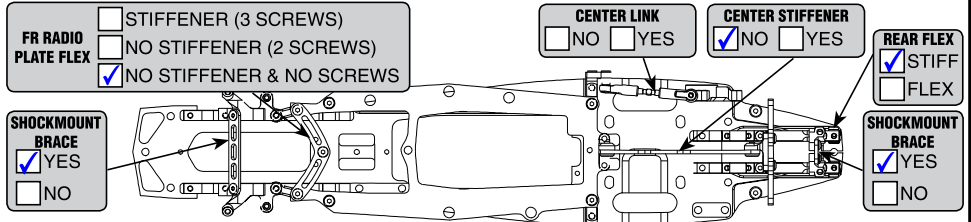
REAR SETUP



FRONT SETUP



FLEX SETUP



WEIGHT DISTRIBUTION

