

DRIVER & TRACK

DRIVER _____ DATE _____

TRACK _____ GRIP _____

1ST SPUR GEARS 2ND

61 62 63 56 57 58

1ST PINION 2ND

18 19 20 23 24 25

FR SHOCK ABSORBERS RR

cst OIL cst

SPRINGS

REBOUND

N° HOLES _____ with Ø _____ mm PISTONS N° HOLES _____ with Ø _____ mm

DIFFERENTIAL OIL AND POSITION

FR DIFF _____ cst RR DIFF _____ cst

POSITION

LOW MID LOW HIGH MID HIGH

POSITION

LOW MID LOW HIGH MID HIGH

ANTI-ROLL BARS

FRONT

REAR

FR TYRES Controlled Tyre RR

MAKE

TYPE

SHORE

INSERTS

POWER PACK

ENGINE

BRAND & TYPE _____

GLOWPLUG _____ CARB Ø _____ mm

EXHAUST

PIPE _____ MANIFOLD _____

FUEL

BRAND _____ NITRO % _____

CLUTCH

CLUTCH BELL STEEL STANDARD ALU VENTED

CLUTCH SHOES

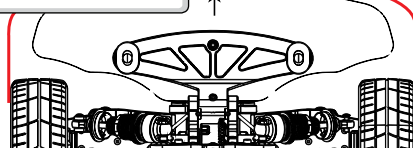
CLUTCH SPRING WITH PRELOAD _____ mm

AERODYNAMIC CONFIGURATION

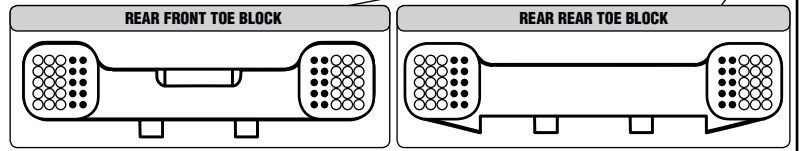
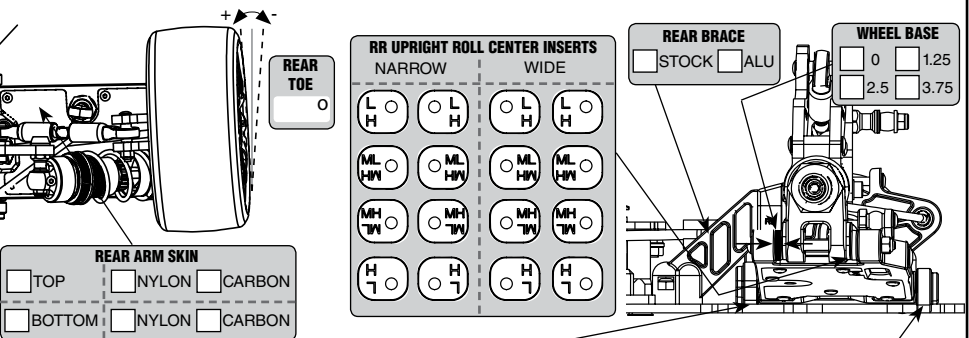
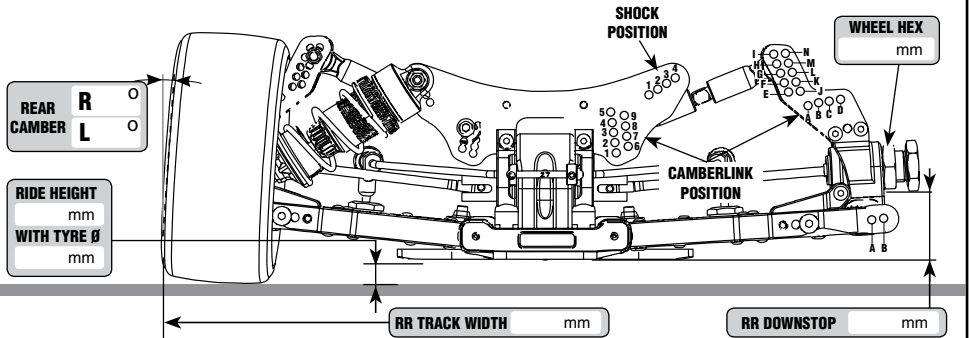
BODY BRAND & TYPE

WING BRAND & TYPE

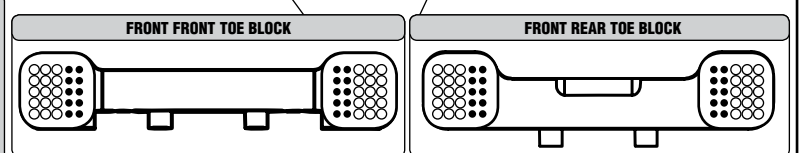
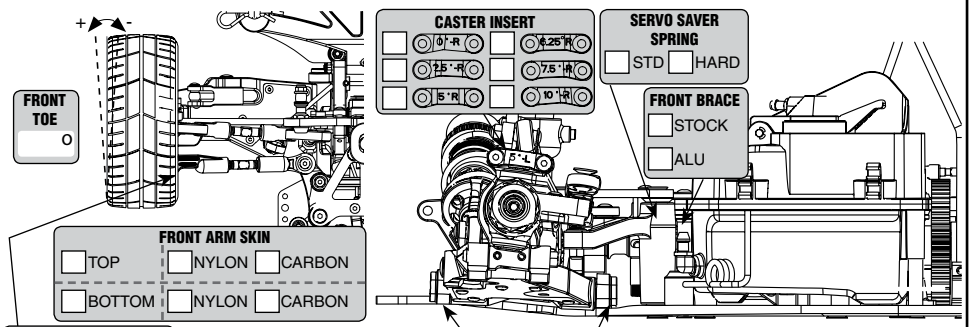
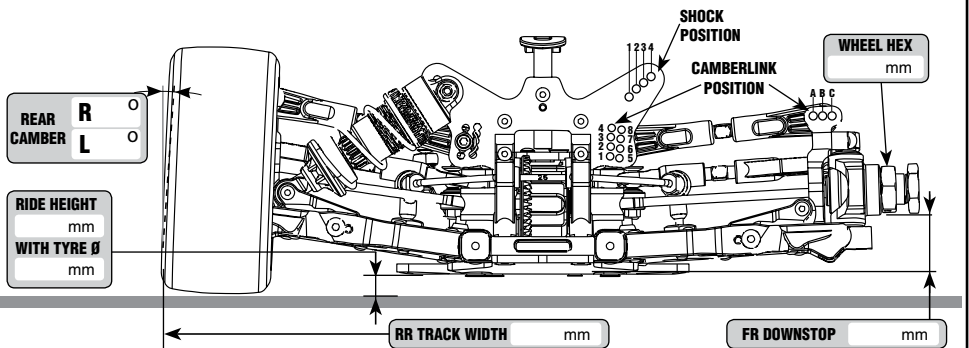
BODY POSITION _____ mm



REAR SETUP



FRONT SETUP



REMARKS

REMARKS