

DRIVER & TRACK

DRIVER M.Weigerding DATE 20.07.25

TRACK ENS Aigen GRIP Medium

1ST SPUR GEARS 2ND

61 62 63 56 57 58

1ST PINION 2ND

18 19 20 23 24 25

FR SHOCK ABSORBERS RR

OIL 700 cst OIL 700 cst

SPRINGS 8,0 SMJ SPRINGS 5,9 SMJ

PISTON Std 1 hole PISTON Std 2 hole

FR HEAVE DAMPER RR

OIL cst OIL cst

SPRINGS SPRINGS

PISTON PISTON

ANTI-ROLL BARS

FRONT 2 REAR 3

FR TYRES Controlled Tyre RR

MAKE & TYPE Matrix light

32 SHORE 35

69 mm DIAMETER 76 mm

POWER PACK

ENGINE

BRAND & TYPE Hasi Tuned 9R
GLOWPLUG 7 CARB Ø 8,5 mm

EXHAUST

PIPE Hasi 2204 MANIFOLD HT05

FUEL

BRAND Maxima NITRO % 16

CLUTCH

CLUTCH ALU STEEL CLUTCH SHOE Yellow

CLUTCH SPRING Hasi Tuned

CLUTCH BELL GAP 0,5 mm

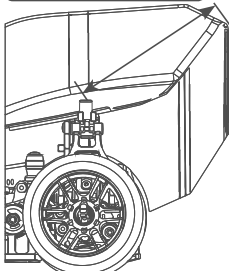
AERODYNAMIC CONFIGURATION

BODY BRAND Xtreme BODY POSITION Pre Cut mm

BODY TYPE Hyper Diablo

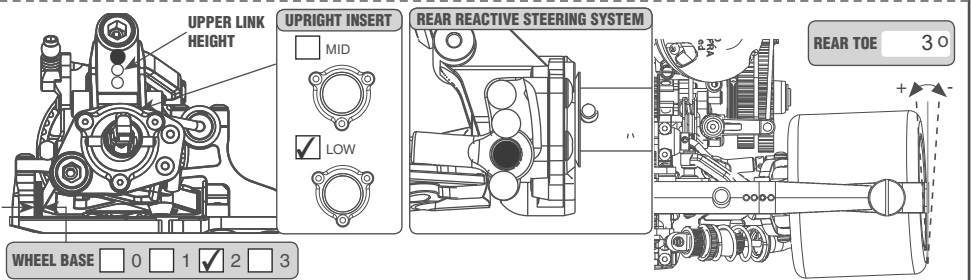
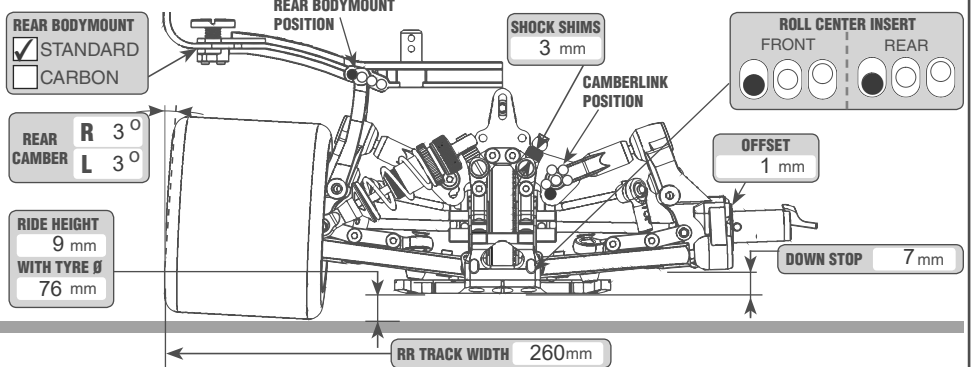
BUMPER TYPE 990 Evo

AIR TRIM POS. 8 mm

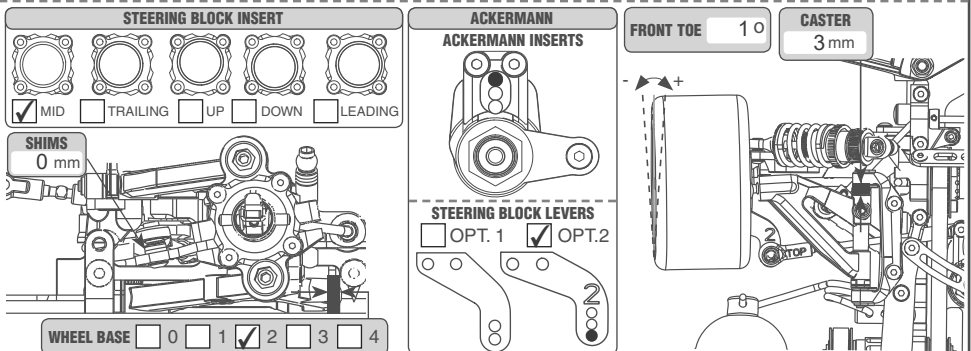
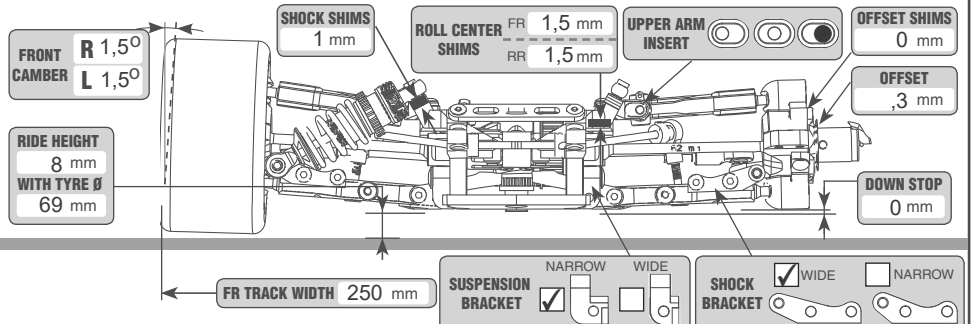


REMARKS

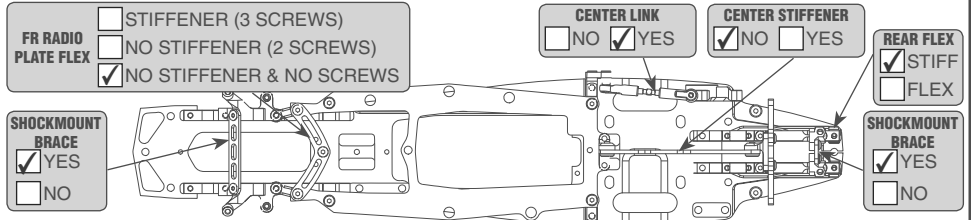
REAR SETUP



FRONT SETUP



FLEX SETUP



WEIGHT DISTRIBUTION

