

DRIVER, TRACK AND RESULTS

DRIVER _____ **COUNTRY** _____ **WEATHER** AIR TEMP _____ TRACK TEMP _____ DRY INTERMEDIATE WET
TRACK _____ **TRACTION** LOW MEDIUM HIGH **COMMENTS** _____
RACE _____ **DATE** _____ **QUALY POS.** _____ **QUALY TIME** _____ **STARTING POS.** _____ **FINAL POS.** _____

FRONT	SHOCK ABSORBERS		REAR
	cst	OIL	cst
	SPRINGS		
	mm	REBOUND	mm
N° HOLES	∅	mm	PISTONS N° HOLES ∅ mm
<input type="checkbox"/> STRAIGHT <input type="checkbox"/> ANGLED	HOLES TYPE		<input type="checkbox"/> STRAIGHT <input type="checkbox"/> ANGLED
<input type="checkbox"/> BLADDER <input type="checkbox"/> EMULSION	SEAL TYPE	<input type="checkbox"/> BLADDER <input type="checkbox"/> EMULSION	

ANTI-ROLL BARS

FRONT ANTI-ROLL BAR _____ mm REAR ANTI-ROLL BAR _____ mm

DIFFERENTIALS

FRONT DIFF HTD STD REAR DIFF HTD STD
 _____ cst _____ cst

GEARING

PINION _____ Teeth SPUR GEAR _____ Teeth

ELECTRONICS

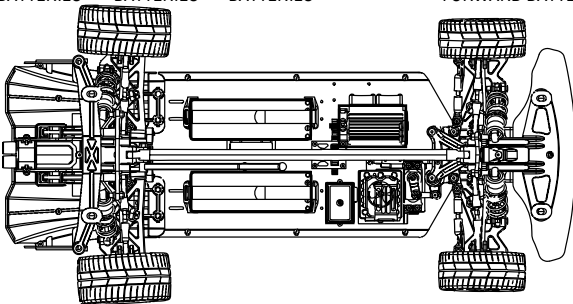
BATTERY
 BRAND _____ CAPACITY _____ mAh

MOTOR
 BRAND _____ TYPE _____ TIMING _____

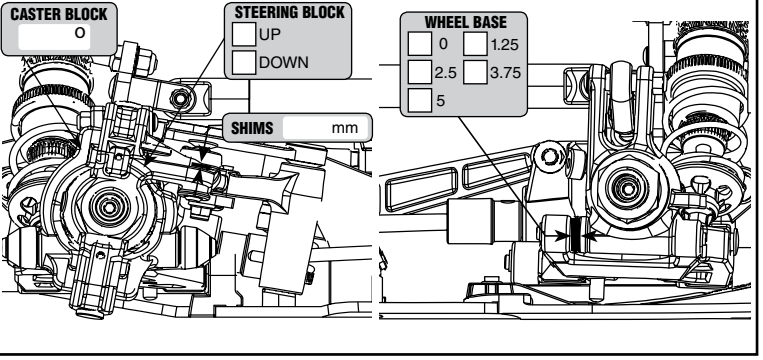
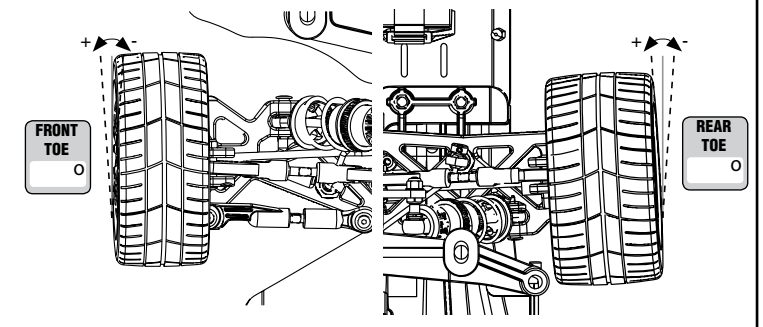
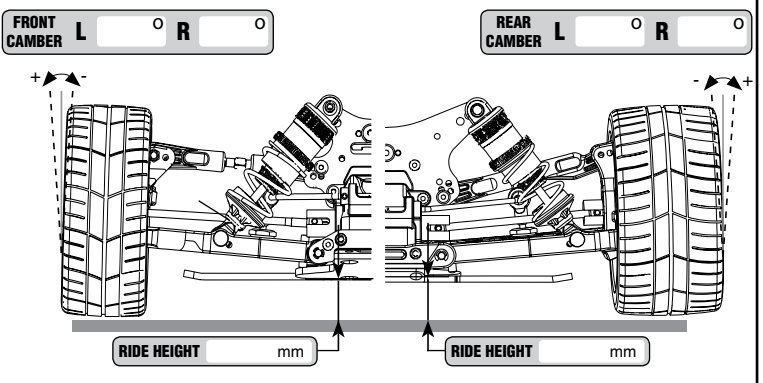
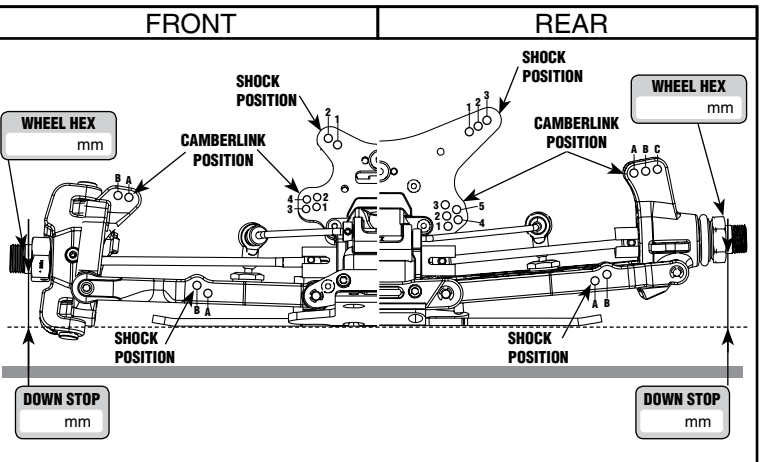
ESC
 BRAND _____ TYPE _____

ELECTRONICS LAYOUTS

3S STICK BATTERIES 2S STICK BATTERIES 2S SHORTY REARWARD BATTERIES 2S SHORTY FORWARD BATTERIES



FRONT TIRES	Controlled Tire	REAR
MAKE	<input type="checkbox"/>	
TYPE		
INSERTS		
WHEELS		



REMARKS

