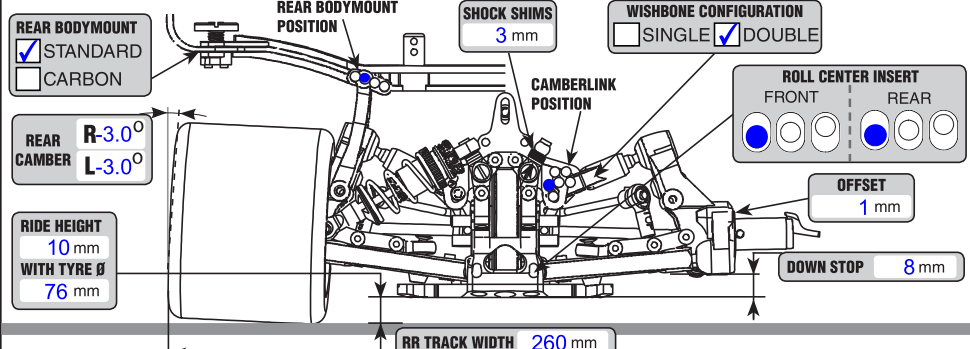


DRIVER & TRACK

DRIVER	DATE
TRACK	GRIP
1ST SPUR GEARS 2ND	
<input type="checkbox"/> 61 <input checked="" type="checkbox"/> 62 <input type="checkbox"/> 63	<input type="checkbox"/> 56 <input checked="" type="checkbox"/> 57 <input type="checkbox"/> 58
1ST PINION 2ND	
<input type="checkbox"/> 18 <input checked="" type="checkbox"/> 19 <input type="checkbox"/> 20	<input type="checkbox"/> 23 <input checked="" type="checkbox"/> 24 <input type="checkbox"/> 25
FR SHOCK ABSORBERS RR	
OIL <input type="text" value="900 cst"/>	OIL <input type="text" value="900 cst"/>
SPRINGS <input type="text" value="silver"/>	SPRINGS <input type="text" value="pink"/>
PISTON <input type="text" value="2"/>	PISTON <input type="text" value="2"/>
<input type="checkbox"/> FR HEAVE DAMPER <input type="checkbox"/> RR	
OIL <input type="text" value="cst"/>	OIL <input type="text" value="cst"/>
SPRINGS <input type="text" value=""/>	SPRINGS <input type="text" value=""/>
PISTON <input type="text" value=""/>	PISTON <input type="text" value=""/>

REAR SETUP



REAR BODYMOUNT POSITION

SHOCK SHIMS

WISHBONE CONFIGURATION SINGLE DOUBLE

ROLL CENTER INSERT FRONT REAR

REAR BODYMOUNT STANDARD CARBON

REAR CAMBER

CAMBERLINK POSITION

UPRIGHT INSERT MID LOW

REAR REACTIVE STEERING SYSTEM

REAR TOE

OFFSET

DOWN STOP

RR TRACK WIDTH

UPPER LINK HEIGHT

WHEEL BASE 0 1 2 3

ANTI-ROLL BARS

FRONT REAR

FR TYRES

Controlled Tyre RR

MAKE & TYPE

SHORE

mm DIAMETER

POWER PACK

ENGINE

BRAND & TYPE

GLOWPLUG CARB Ø

EXHAUST

PIPE MANIFOLD

FUEL

BRAND NITRO %

CLUTCH

CLUTCH ALU STEEL

CLUTCH BELL CLUTCH SHOE

CLUTCH SPRING

CLUTCH BELL GAP

AERODYNAMIC CONFIGURATION

BODY BRAND

BODY POSITION

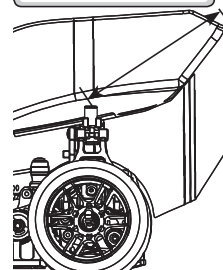
BODY TYPE

BUMPER TYPE

BUMPER YES NO

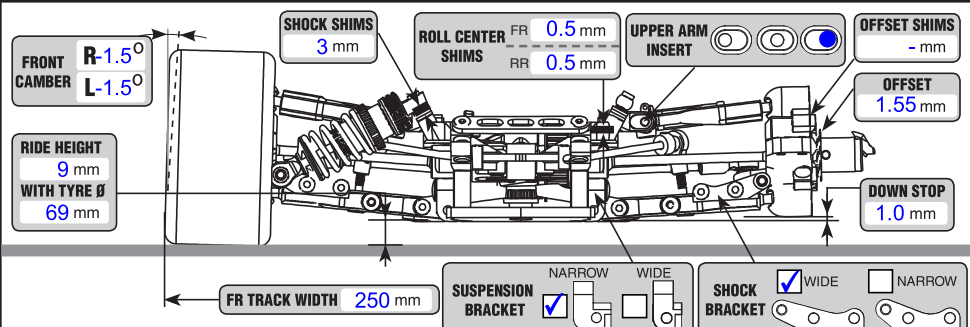
STIFFENER YES NO

AIR TRIM POS.



REMARKS

FRONT SETUP



SHOCK SHIMS

ROLL CENTER SHIMS FR RR

UPPER ARM INSERT

OFFSET SHIMS

FRONT CAMBER

RIDE HEIGHT WITH TYRE Ø

FR TRACK WIDTH

SUSPENSION BRACKET NARROW WIDE

SHOCK BRACKET WIDE NARROW

OFFSET

DOWN STOP

FRONT TOE

CASTER

STEERING BLOCK INSERT MID TRAILING UP DOWN LEADING

SHIMS

ACKERMANN INSERTS

STEERING LINK POSITION

SERVO SAVER POSITION

WHEEL BASE 0 1 2 3 4

FLEX SETUP

FR RADIO PLATE FLEX STIFFENER (3 SCREWS) NO STIFFENER (2 SCREWS) NO STIFFENER & NO SCREWS

RIGHT STIFFENER NO LINK STIFFENER

CHASSIS TYPE STANDARD FLEX

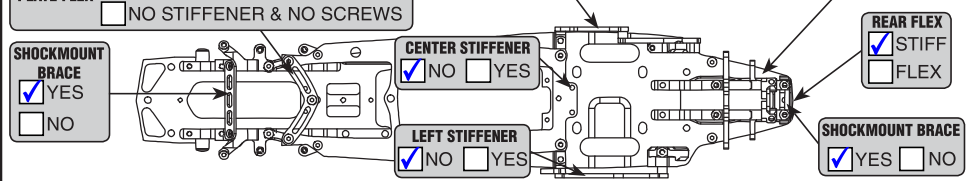
SHOCKMOUNT BRACE YES NO

CENTER STIFFENER NO YES

LEFT STIFFENER NO YES

REAR FLEX STIFF FLEX

SHOCKMOUNT BRACE YES NO



WEIGHT DISTRIBUTION

FRONT WEIGHT mm

TOTAL CAR WEIGHT

RIGHT RADIOTRAY BRACKET ALU BRASS

BATTERY PLATE CARBON BRASS

EXTRA WEIGHTS

LEFT

RIGHT

MID WEIGHT

LEFT RADIOTRAY BRACKET ALU BRASS

