

DRIVER & TRACK

DRIVER _____ DATE _____

TRACK _____ GRIP _____

1ST **SPUR GEARS** 2ND
 61 62 63 56 57 58

1ST **PINION** 2ND
 18 19 20 23 24 25

FR SHOCK ABSORBERS RR

OIL _____ cst OIL _____ cst

SPRINGS _____ SPRINGS _____

PISTON _____ PISTON _____

FR HEAVE DAMPER RR

OIL _____ cst OIL _____ cst

SPRINGS _____ SPRINGS _____

PISTON _____ PISTON _____

ANTI-ROLL BARS

FRONT _____ REAR _____

FR TYRES Controlled Tyre RR

MAKE & TYPE _____

SHORE _____

mm DIAMETER _____ mm

POWER PACK

ENGINE

BRAND & TYPE _____

GLOWPLUG _____ CARB Ø _____ mm

EXHAUST

PIPE _____ MANIFOLD _____

FUEL

BRAND _____ NITRO % _____

CLUTCH

CLUTCH ALU STEEL CLUTCH SHOE _____

CLUTCH SPRING _____

CLUTCH BELL GAP _____ mm

AERODYNAMIC CONFIGURATION

BODY BRAND _____ BODY POSITION _____ mm

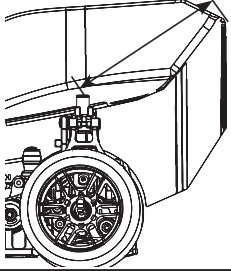
BODY TYPE _____

BUMPER TYPE _____

BUMPER YES NO

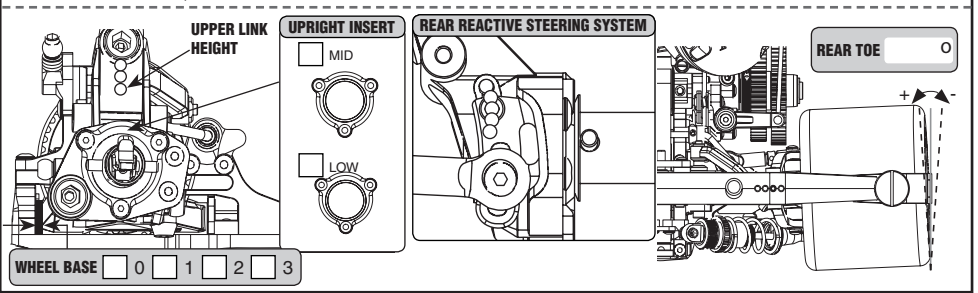
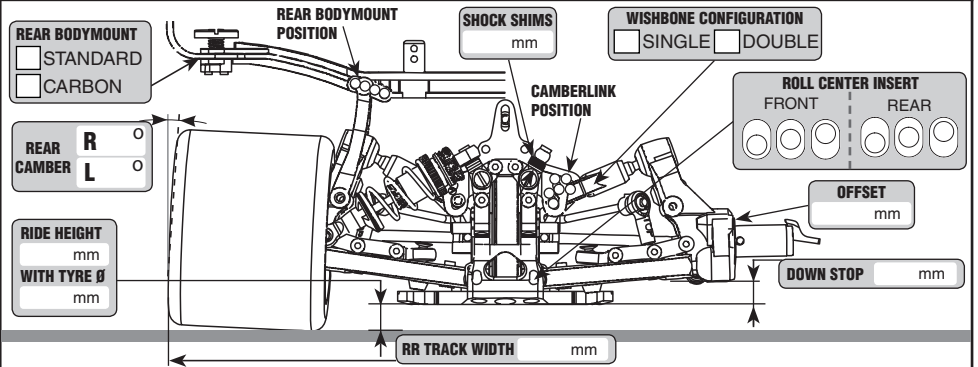
STIFFENER YES NO

AIR TRIM POS. _____ mm

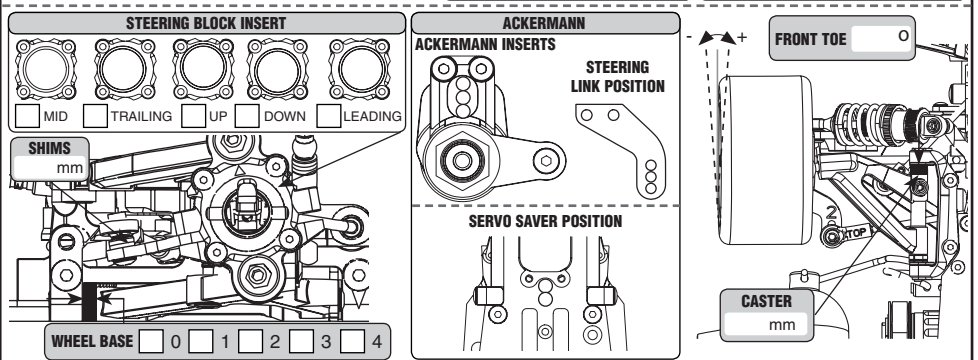
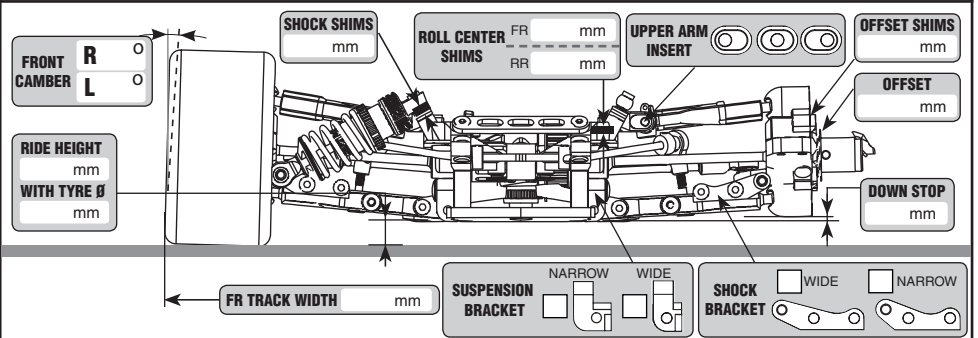


REMARKS

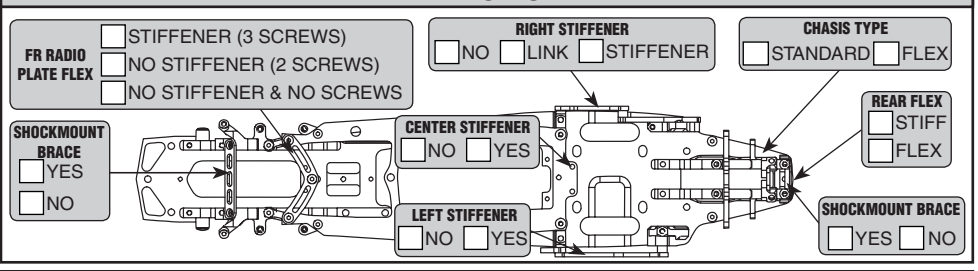
REAR SETUP



FRONT SETUP



FLEX SETUP



WEIGHT DISTRIBUTION

