

## DRIVER & TRACK

DRIVER \_\_\_\_\_ DATE \_\_\_\_\_

TRACK \_\_\_\_\_ GRIP \_\_\_\_\_

1ST **SPUR GEARS** 2ND  
 61  62  63  56  57  58

1ST **PINION** 2ND  
 18  19  20  23  24  25

## FR SHOCK ABSORBERS RR

OIL \_\_\_\_\_ cst OIL \_\_\_\_\_ cst

SPRINGS \_\_\_\_\_ SPRINGS \_\_\_\_\_

PISTON \_\_\_\_\_ PISTON \_\_\_\_\_

## FR HEAVE DAMPER RR

OIL \_\_\_\_\_ cst OIL \_\_\_\_\_ cst

SPRINGS \_\_\_\_\_ SPRINGS \_\_\_\_\_

PISTON \_\_\_\_\_ PISTON \_\_\_\_\_

## ANTI-ROLL BARS

FRONT \_\_\_\_\_ REAR \_\_\_\_\_

## FR TYRES Controlled Tyre RR

MAKE & TYPE \_\_\_\_\_

SHORE \_\_\_\_\_

mm DIAMETER \_\_\_\_\_ mm

## POWER PACK

### ENGINE

BRAND & TYPE \_\_\_\_\_

GLOWPLUG \_\_\_\_\_ CARB Ø \_\_\_\_\_ mm

### EXHAUST

PIPE \_\_\_\_\_ MANIFOLD \_\_\_\_\_

### FUEL

BRAND \_\_\_\_\_ NITRO % \_\_\_\_\_

## CLUTCH

CLUTCH  ALU  STEEL  CLUTCH SHOE \_\_\_\_\_

CLUTCH SPRING \_\_\_\_\_

CLUTCH BELL GAP \_\_\_\_\_ mm

## AERODYNAMIC CONFIGURATION

BODY BRAND \_\_\_\_\_ BODY POSITION \_\_\_\_\_ mm

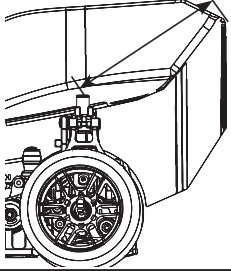
BODY TYPE \_\_\_\_\_

BUMPER TYPE \_\_\_\_\_

BUMPER  YES  NO

STIFFENER  YES  NO

AIR TRIM POS. \_\_\_\_\_ mm



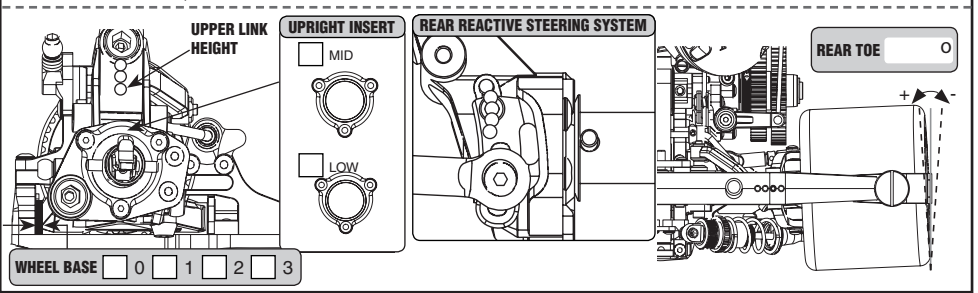
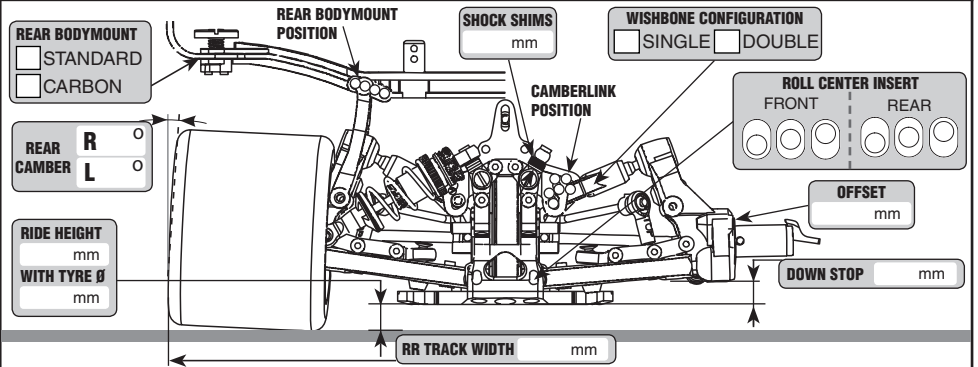
## REMARKS

\_\_\_\_\_

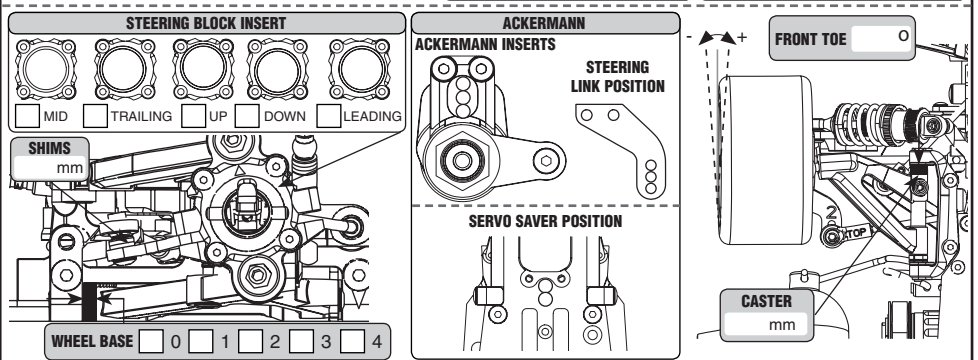
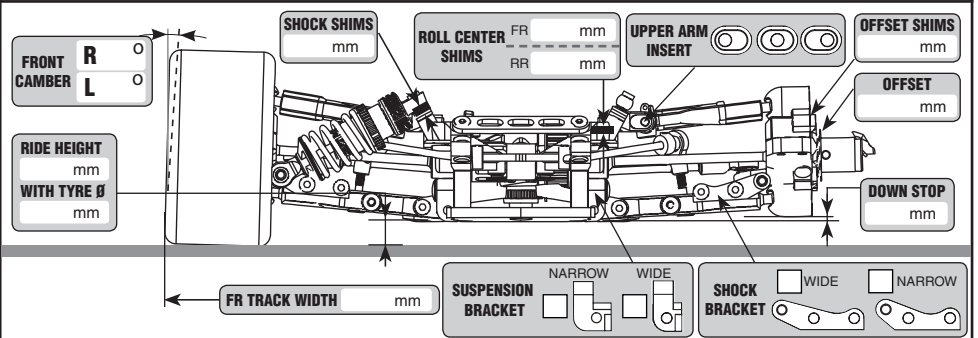
\_\_\_\_\_

\_\_\_\_\_

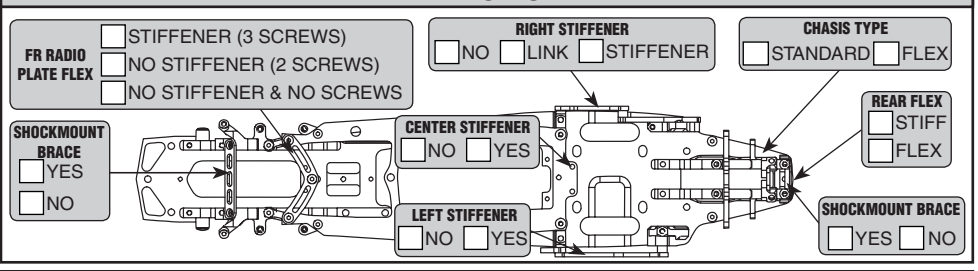
## REAR SETUP



## FRONT SETUP



## FLEX SETUP



## WEIGHT DISTRIBUTION

