

## DRIVER & TRACK

DRIVER Andrea Catan DATE 20-9-2025

TRACK Cach Chile GRIP

## 1ST SPUR GEARS 2ND

61  62  63  56  57  58

## 1ST PINION 2ND

18  19  20  23  24  25

## FR SHOCK ABSORBERS RR

800cst OIL 900cst

34.5 SPRINGS 37

0 REBOUND 0

N° HOLES 6 with Ø stk mm PISTONS N° HOLES 6 with Ø stk mm

## DIFFERENTIAL OIL AND POSITION

FR DIFF 700k cst RR DIFF 40k cst

POSITION POSITION  
 LOW  MID LOW  LOW  MID LOW  
 HIGH  MID HIGH  HIGH  MID HIGH

## ANTI-ROLL BARS

FRONT 2.5 REAR 2.6

## FR TYRES Controlled Tyre RR

MAKE

TYPE

SHORE

INSERTS

## POWER PACK

### ENGINE

BRAND & TYPE gimar  
 GLOWPLUG os CARB Ø 7 mm

### EXHAUST

PIPE 2209 MANIFOLD zp

### FUEL

BRAND energy NITRO % 16

## CLUTCH

CLUTCH BELL  STEEL  STANDARD  
 ALU  VENTED

CLUTCH SHOES 2 black 2 yellow

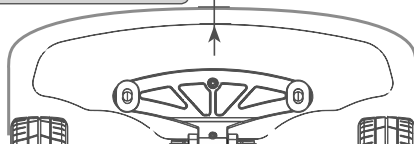
CLUTCH SPRING bm clutch WITH PRELOAD 0.7 mm

## AERODYNAMIC CONFIGURATION

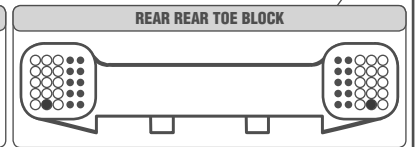
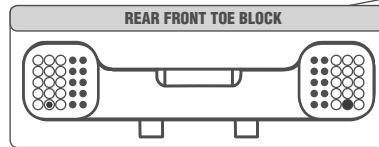
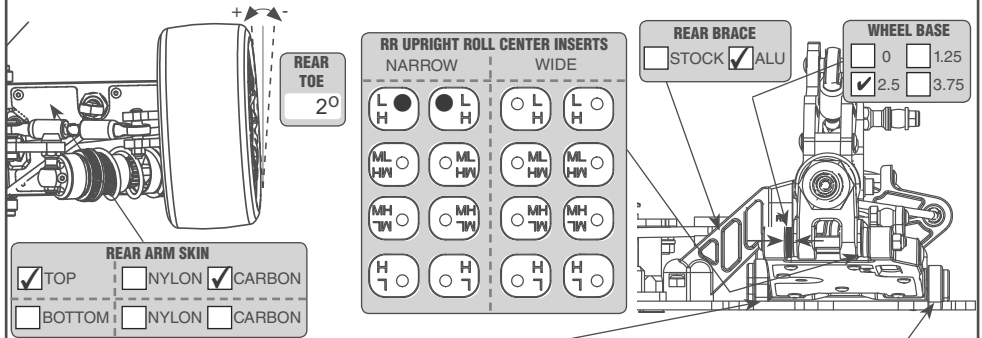
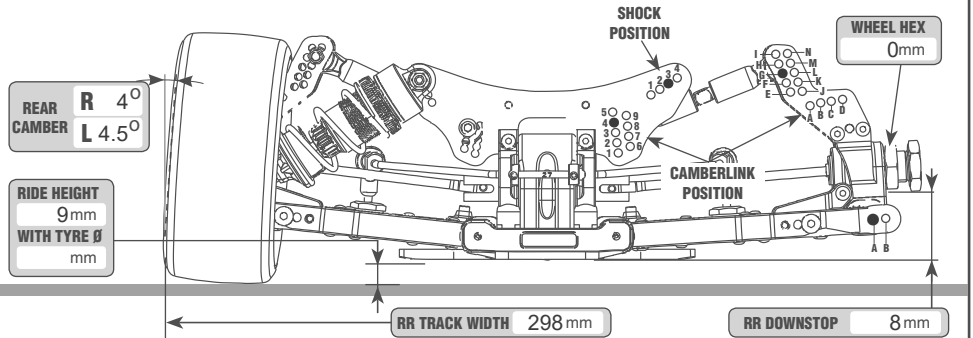
BODY BRAND & TYPE gt fury

WING BRAND & TYPE gt fury

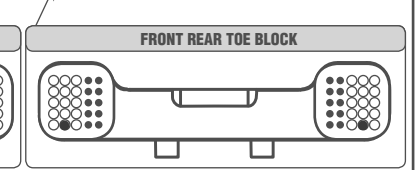
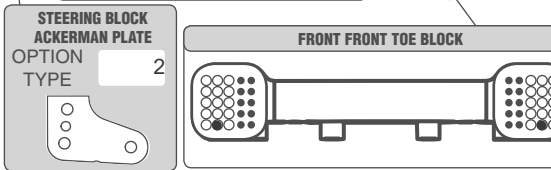
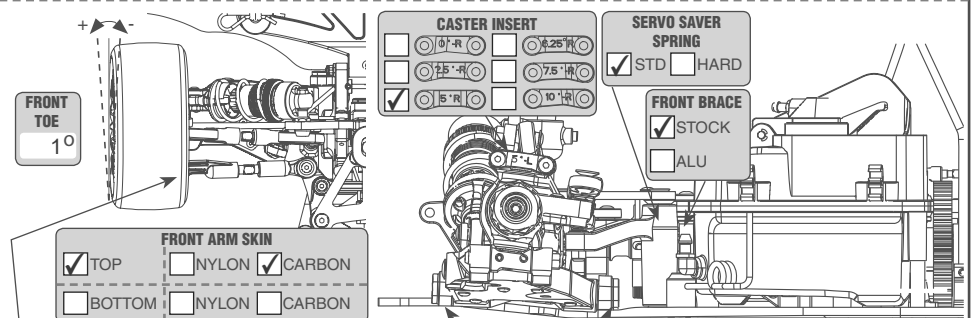
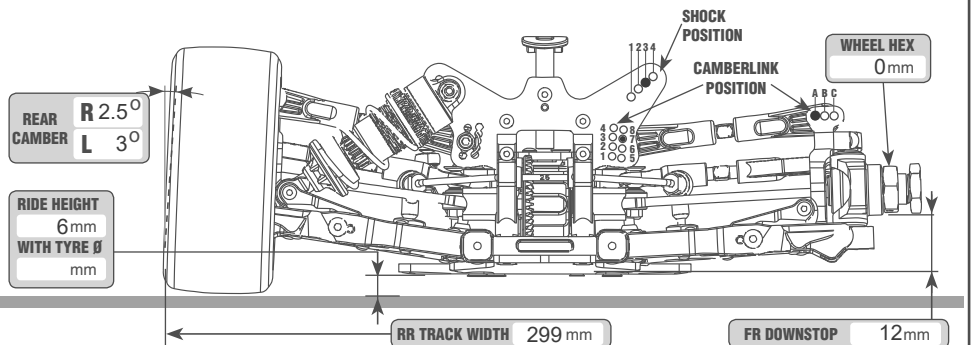
BODY POSITION 2 mm



## REAR SETUP



## FRONT SETUP



## REMARKS

downstop take under the c in front, take under the upright