

DRIVER & TRACK

DRIVER _____ DATE _____

TRACK _____ GRIP _____

FR SHOCK ABSORBERS RR

cst OIL _____ cst

SPRINGS _____

REBOUND _____

N° HOLES _____ PISTONS _____ N° HOLES _____
with Ø _____ mm with Ø _____ mm

DIFFERENTIAL OIL AND POSITION

FR DIFF _____ cst RR DIFF _____ cst

POSITION POSITION

LOW MID LOW LOW MID LOW

HIGH MID HIGH HIGH MID HIGH

ANTI-ROLL BARS

FRONT _____ REAR _____

FR TYRES Controlled Tyre RR

MAKE _____

TYPE _____

SHORE _____

INSERTS _____

ELECTRONICS

BATTERY

BRAND _____

CAPACITY _____ mAh

MOTOR

BRAND _____

TYPE _____ TIMMING _____

ESC

BRAND _____ TYPE _____

RATIO CONFIGURATION

SPUR GEAR _____ teeth PINION _____ teeth

FINAL DRIVE RATIO _____

ROLL OUT _____

FLEX SETUP

CHASSIS ALU CARBON

FRONT BRACE CARBON LINK

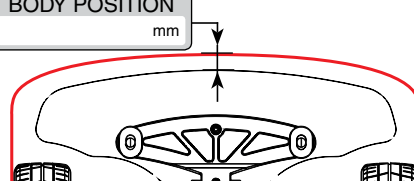
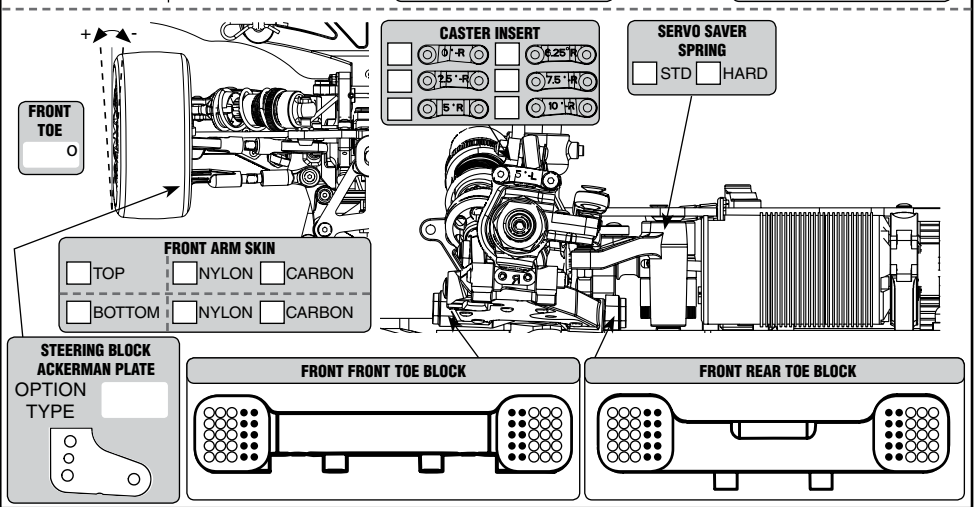
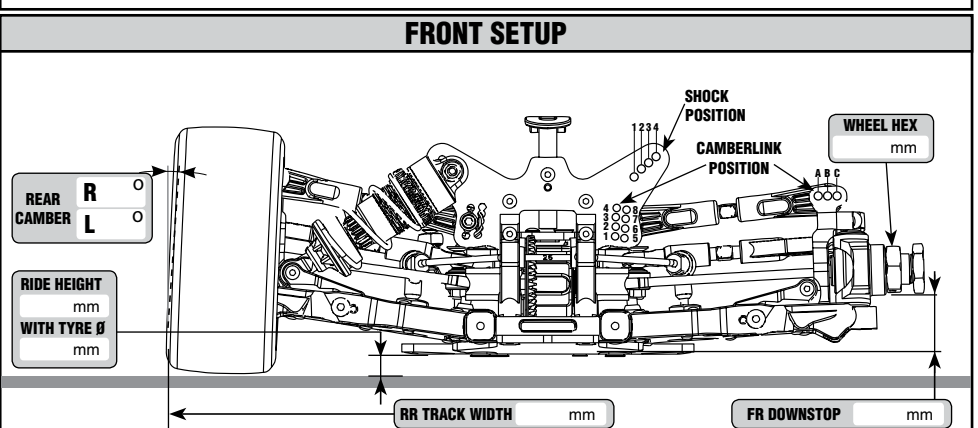
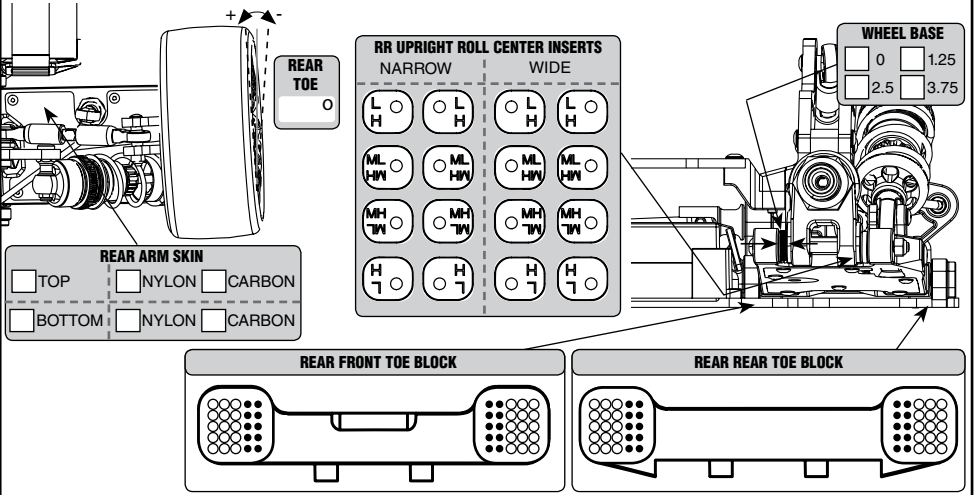
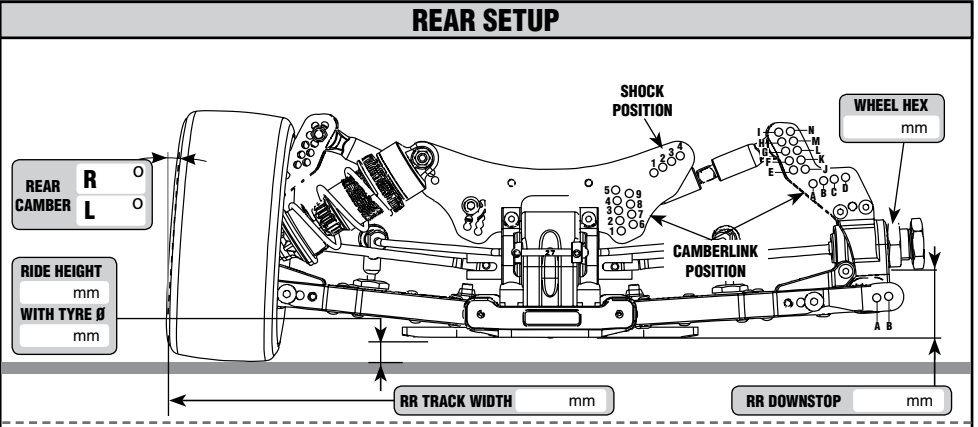
REAR BRACE CARBON LINK

AERODYNAMIC CONFIGURATION

BODY BRAND & TYPE _____

WING BRAND & TYPE _____

BODY POSITION _____ mm

REMARKS
