

DRIVER & TRACK

DRIVER **Jose Almonte** DATE _____

TRACK **Homestead** GRIP **Medium**

1ST SPUR GEARS 2ND

61 62 63 56 57 58

1ST PINION 2ND

18 19 20 23 24 25

FR SHOCK ABSORBERS RR

900cst OIL **900cst**

600603 SPRINGS **600603**

25% REBOUND **25%**

N° HOLES **6** PISTONS N° HOLES **6**
with Ø _____ mm with Ø _____ mm

DIFFERENTIAL OIL AND POSITION

FR DIFF **2m** cst RR DIFF **60k** cst

POSITION POSITION
 LOW MID LOW LOW MID LOW
 HIGH MID HIGH HIGH MID HIGH

ANTI-ROLL BARS

FRONT **2.5** REAR **2.7**

FR TYRES Controlled Tyre RR

PMT MAKE **PMT**

Threaded TYPE **Threaded**

Q3 SHORE **Q1**

INSERTS

POWER PACK

ENGINE

BRAND & TYPE **Gimar Jupiter**
 GLOWPLUG **RP7** CARB Ø **7** mm

EXHAUST

PIPE **2209** MANIFOLD

FUEL

BRAND **Rocket Science** NITRO % **25**

CLUTCH

CLUTCH BELL STEEL STANDARD
 ALU VENTED

CLUTCH SHOES **2 Black/ 2 Yellow**

CLUTCH SPRING **XH** WITH PRELOAD **1.0** mm

AERODYNAMIC CONFIGURATION

BODY BRAND & TYPE

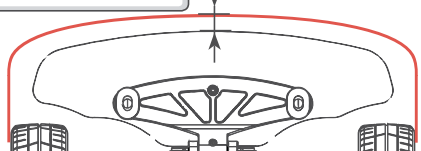
Bullet

WING BRAND & TYPE

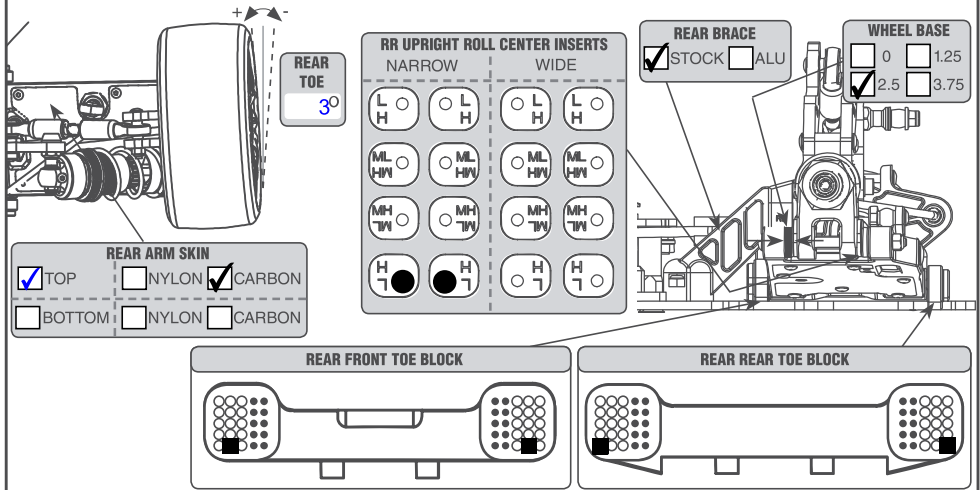
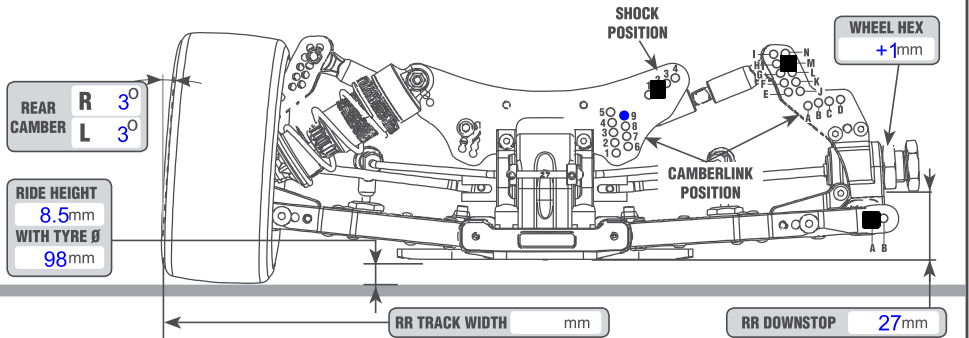
Stock

BODY POSITION

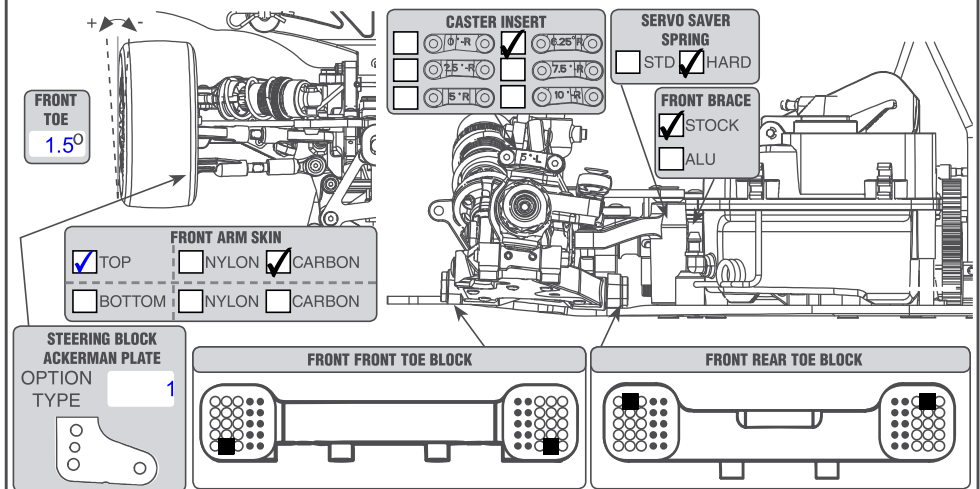
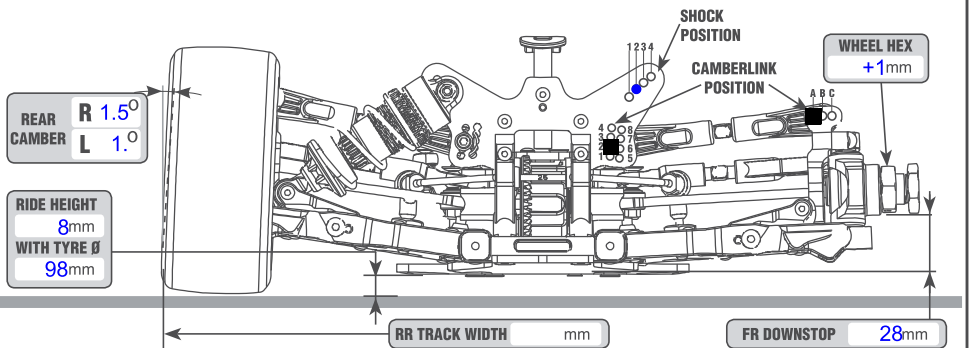
8mm



REAR SETUP



FRONT SETUP



REMARKS
